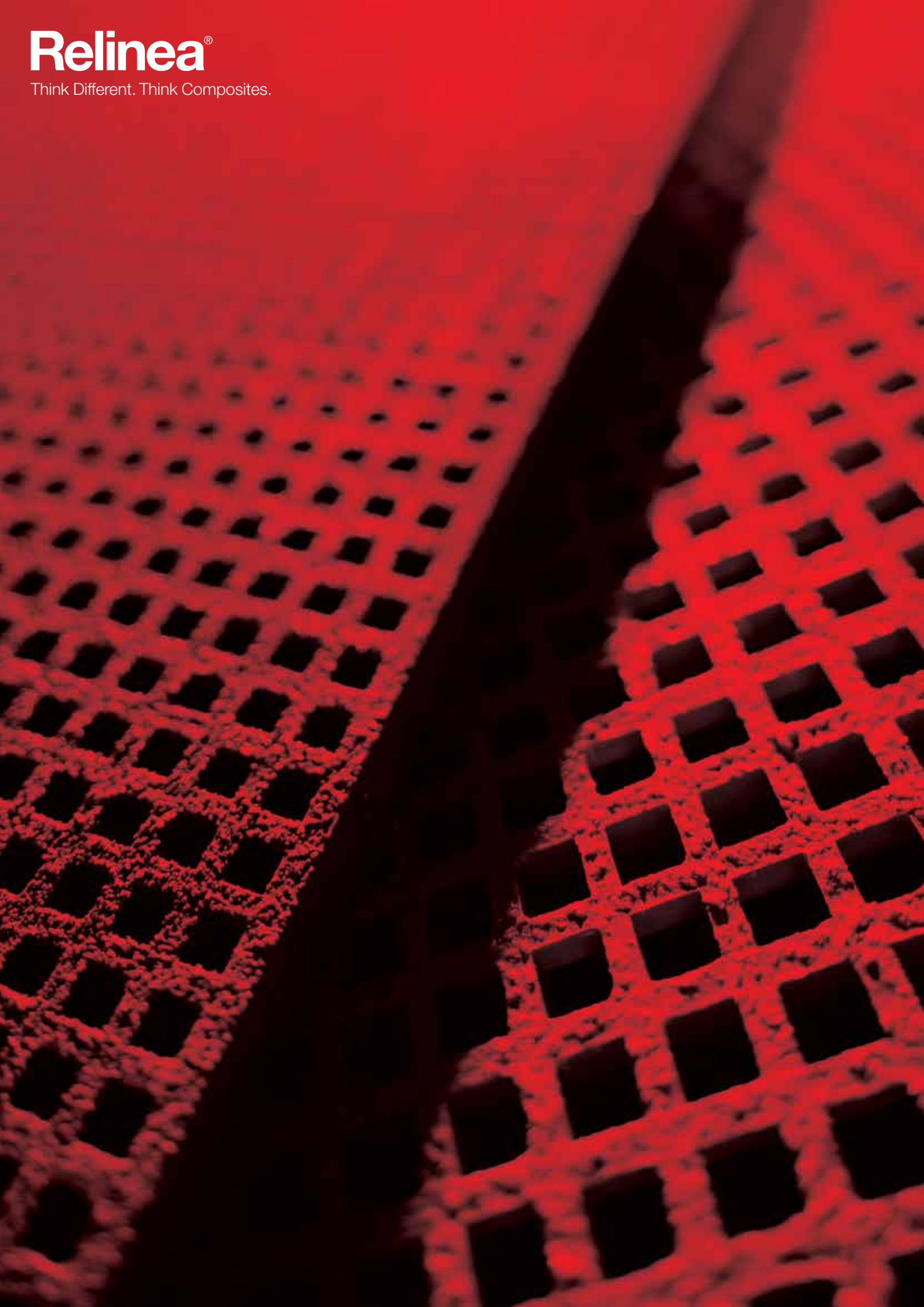


# Relinea®

Think Different. Think Composites.



# Relinea®

Think Different. Think Composites.

## **FACT**

In terms of strength, corrosion resistance, light weight and ease of use, Relinea's composite products consistently outperform steel, aluminium and wood.

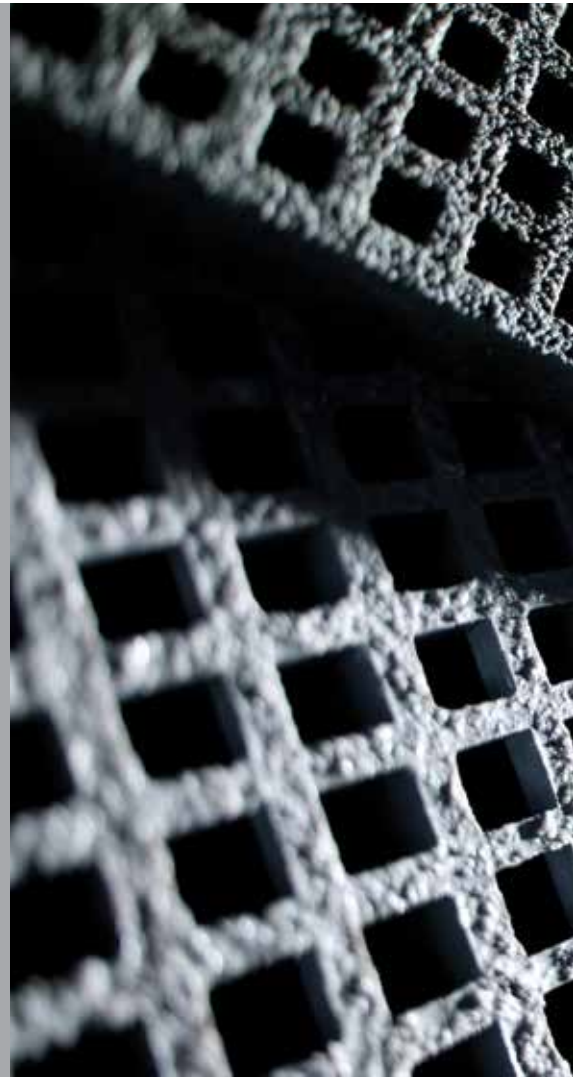
## **FACT**

Relinea's composite products deliver years of maintenance free service, with significantly lower life cycle costs than conventional materials.

## **FACT**

There is a better way of doing things.

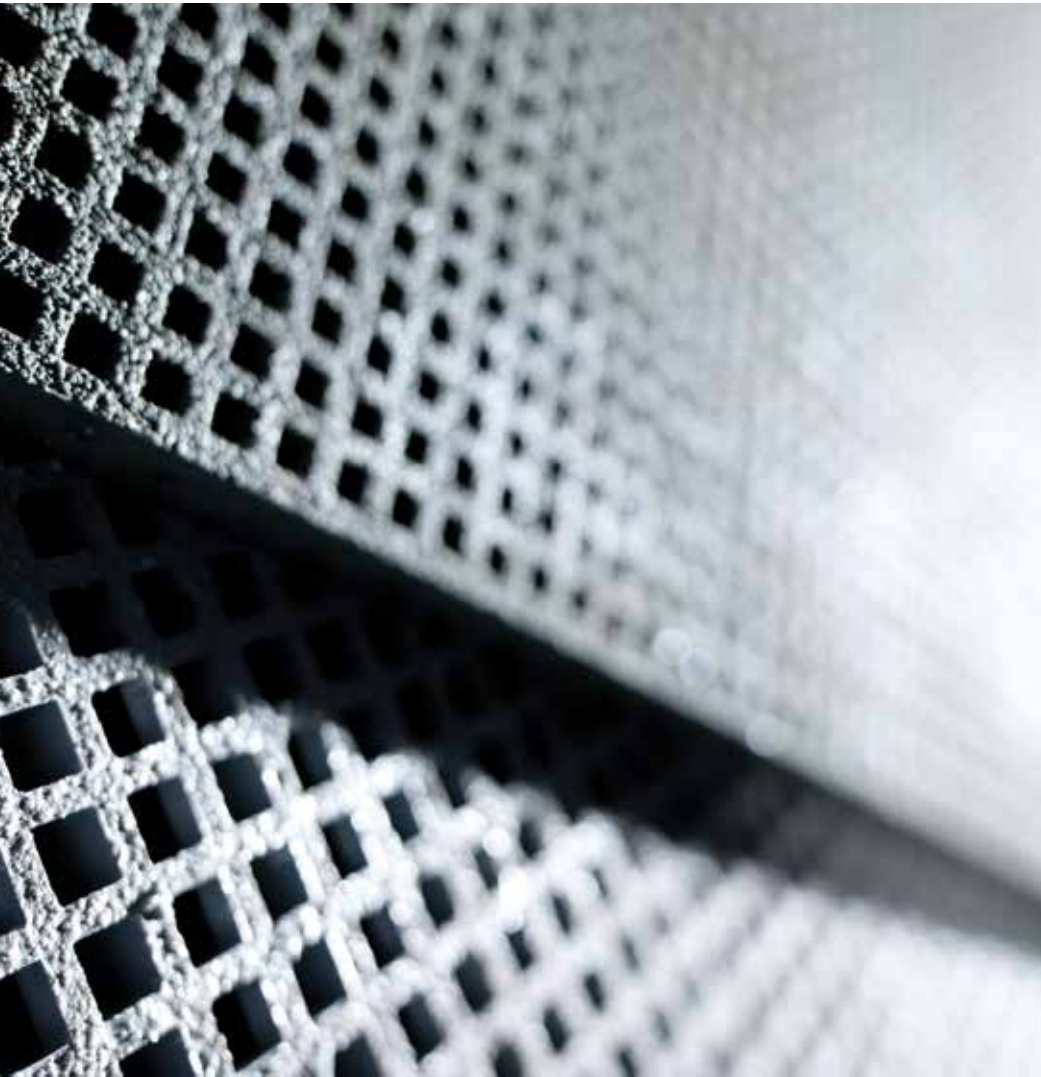
Curious to discover a new way to build better?  
Then talk to us on  
+44 (0) 28 94470010 or  
email: [info@relinea.com](mailto:info@relinea.com)



## We're Relinea.

Our advanced composite structural products are changing how specifiers think about building design. Our new products and ideas are nurturing a radically new approach to pedestrian access.

OPEN MESH & COVERED GRATING  
ANTI-SLIP FLOORING PRODUCTS  
WALKWAYS & STRUCTURES  
HANDRAIL & LADDER SYSTEMS  
ERGONOMIC WORK PLATFORMS  
ACCESS COVERS



### Why are we different?

It's because every job we complete combines four essential elements:

- Superb Products,
- Expert Design,
- Skilled Fabrication,
- Meticulous Installation.

### The result?

New, innovative access solutions that meet your company's needs and exceed your expectations.

We have the capability, the skills, the personnel and desire to deliver snag free packages.

### Quality without compromise

Our products have to deal with the most demanding and hazardous environments. So when it comes to quality, there is absolutely no room for compromise.

In order to meet our own rigorous quality standards, we use only the highest grade materials and latest manufacturing techniques. This means that all Relinea products conform to the ISO 9001:2008 quality system and are made under our Environmental Management System to BS 8555.



# Relinea Vs Steel

**We're not against steel. In fabrication, every material has its place. The fact is that for safe, robust and cost effective pedestrian access, railings and walkways, our composite products outperform steel and other traditional products hands down.**





**Corrosion Resistance**

Relinea's products offer excellent corrosive resistance even in highly aggressive areas.



**Light Weight**

Although up to 80% lighter than steel, our composite structural products deliver similar heavyweight strength characteristics.



**Fire Retardant**

Our products can be manufactured to meet specific fire and self extinguishing requirements.



**Maintenance Free**

With a design life of 50 years, our products never rust or need repainting, significantly reducing life cycle and maintenance costs. Try that with steel aluminium or wood!



**Low Installation Costs**

It's a magic formula: Light Weight + Easy Fabrication = Low Installation Costs plus, most composite product installations can be completed in fewer man hours, without the need for heavy lifting gear.



**Inert Qualities**

Our products are non-conductive and non-magnetic avoiding the need for earthing. They are also electronically transparent and do not affect electromagnetic or radio wave frequencies.



**Slip Resistance**

Relinea's flooring products offer superb anti-slip characteristics, even in wet or oily conditions. This means fewer costly slip-ups.



**Impact Resistance**

A severe impact will cause permanent damage to a metal grating. The innate elasticity of our composite products means they suffer no damage from impacts. It also means they have a slight 'give' underfoot, making them more comfortable to stand on.

# Structural Flooring

## Grate Expectations

No doubt you set high standards for your industrial floor grating system. After all, its performance affects staff safety and maintenance costs.

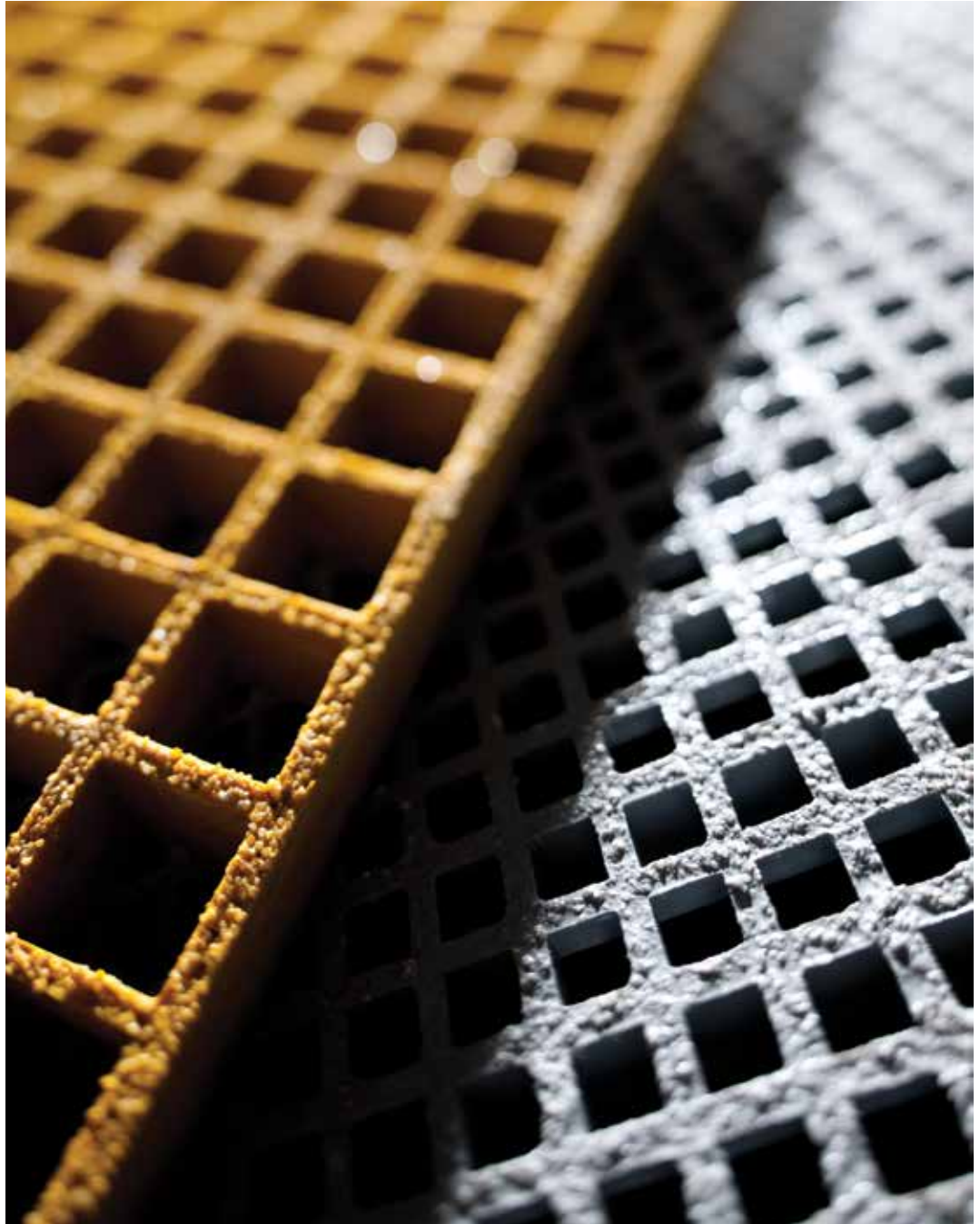
## So how do the following performance benefits sound to you?

- Anti-slip flooring that meets all health & safety and Disability Discrimination Act 2004 (DDA) requirements
- Structural grating that's as strong as steel, yet up to 60% lighter
- Minimal maintenance over a 50 year life cycle

## Better Performing Solutions

Our grid flooring products are moulded one piece composite constructions of glass fibre set in a polymer resin matrix. The square mesh structure provides bi-directional strength, surpassing the uni-directional characteristics of metal gratings.

Relinea can offer a range of resins to meet specific environmental demands, including chemical and fire. In addition there are a range of surface finishes including meniscus, grit and smooth to meet even the most stringent requirements in terms of slip resistance and ease of cleaning.





## Re-Plate

Ideal for providing an anti-slip solution to existing floored areas and for covering drains and ducts with a span up to 600mm, this composite plate product combines low maintenance with extreme durability. Available in a range of thicknesses, sizes, colours, fire and chemical resistance and in either grit, or smooth finish.



## Load Table For Re-Plate

Clear Span (mm)	Depth (mm)	Recommended Maximum Loading			
		Firm Concentrated Line Load (kg/305 mm) *L/200	Standard Concentrated Line Load (kg/305 mm) *L/100	Firm Uniform Loading (kg/m <sup>2</sup> ) *L/200	Standard Uniform Loading (kg/m <sup>2</sup> ) *L/100
300	6	61	136	928	1524
	9	147	302	1366	2170
	12	272	565	1859	2973
	19	1119	2154	5514	881
450	6	53	116	242	388
	9	130	264	418	762
	12	246	537	592	930
	19	509	970	1637	2610
600	6	52	101	69	165
	9	67	135	188	366
	12	141	286	328	698
	19	400	771	689	1103
900	9	44	87	76	140
	12	71	144	138	183
	19	314	653	246	740

- \*L = clear span
- \*L/200 = 0.5% deflection (L = 1000mm then deflection = 5mm)
- \*L/100 = 1% deflection (L = 1000mm then deflection = 10mm)

British Standard BS5395 Part 3 states that the deflection should not exceed 10mm or L/200 of the span. Data is provided as a guide only as different resins and temperatures can produce variations of ±20%.

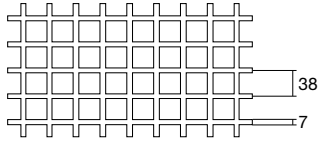


## Re-Grid

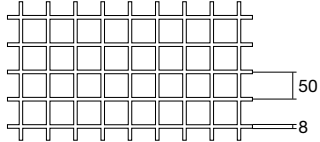
Our open mesh grid is designed to provide safe, robust access for pedestrians in walkways, platforms and over channels. With a number of mesh sizes, we can accommodate applications from industrial water treatment works, to pedestrianised areas that require public access.



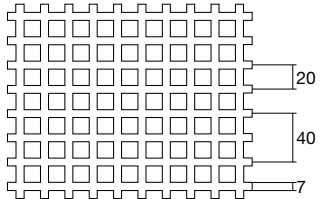
**38 x 38mm mesh**



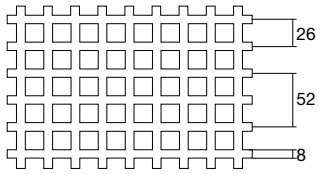
**50 x 50mm mesh**



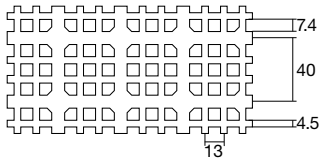
**20 x 20mm mesh**



**26 x 26mm mesh**



**13 x 13mm mesh**



Type	Depth (mm)	Mesh Size (mm)	Standard Panel Size (mm)	Open Area %	Approx Weight (kg/m <sup>2</sup> )	Standard Surface	Standard Colours
Re-Grid 1550	15	50 x 50	3660 x 1220	78	5.9	Meniscus	Light Grey
Re-Grid 2538	25	38 x 38	3000 x 1000, 3660 x 1220	70	13.5	Meniscus, Grit	Light Grey
Re-Grid 3038	30	38 x 38	3000 x 1000, 4038 x 1000, 3660 x 1220	70	15.5	Meniscus, Grit	Light Grey, Charcoal
Re-Grid 3838	38	38 x 38	3000 x 1000, 4038 x 1000, 3660 x 1220	70	18.5	Meniscus, Grit	Light Grey, Charcoal
Re-Grid 5050	50	50 x 50	3660 x 1220	78	21.2	Grit	Light Grey
MINI Re-Grid 1420	14	20 x 20	4047 x 1247	42	10.5	Grit	Light Grey
MINI Re-Grid 2220	22	20 x 20	4047 x 1527	42	14.8	Grit	Light Grey
MINI Re-Grid 3820	38	20 x 20	4047 x 1247	42	21	Grit	Light Grey
MINI Re-Grid 3826	38	26 x 26	3027 x 997	60	19.5	Grit	Light Grey
MICRO Re-Grid 3013	30	13 x 13	4047 x 1007	30	19.1	Meniscus	Light Grey

Other colours and finishes are available upon request. Please note if a grit finish is required please add approximately 2mm to the nominal depth.



# Deflection Tables For Re-Grid

Clear Span (mm)	Type	Panel Depth (mm)	Recommended Maximum Loading			
			Firm Concentrated Line Load (kg/305 mm) *L/200	Standard Concentrated Line Load (kg/305 mm) *L/100	Firm Uniform Loading (kg/m <sup>2</sup> ) *L/200	Standard Uniform Loading (kg/m <sup>2</sup> ) *L/100
300	Re-Grid 2538	25	250	435	3433	7260
	Re-Grid 3038	30	352	684	3650	8200
	Re-Grid 3838	38	720	1122	7260	14270
	Re-Grid 5050	50	900	1582	14500	28940
	MINI Re-Grid 2220	22	256	482	3872	7260
	MINI Re-Grid 3820	38	722	1134	7256	14282
	MINI Re-Grid 3826	38	640	1108	7020	14060
500	MICRO ReGrid 3013	30	380	690	3653	8212
	Re-Grid 2538	25	110	210	968	2320
	Re-Grid 3038	30	172	312	1120	3000
	Re-Grid 3838	38	242	580	2270	4594
	Re-Grid 5050	50	484	968	4235	9680
	MINI Re-Grid 2220	22	119	224	1010	2362
	MINI Re-Grid 3820	38	289	582	2285	4602
750	MINI Re-Grid 3826	38	262	522	2240	4321
	MICRO Re-Grid 3013	30	189	325	1128	3012
	Re-Grid 2538	25	38	85	260	524
	Re-Grid 3038	30	105	250	690	1450
	Re-Grid 3838	38	120	352	780	1600
	Re-Grid 5050	50	242	484	1552	3120
	MINI Re-Grid 2220	22	39	92	265	528
1000	MINI Re-Grid 3820	38	124	356	791	1612
	MINI Re-Grid 3826	38	101	321	692	1580
	MICRO Re-Grid 3013	30	112	265	690	1468
	Re-Grid 2538	25	23	45	120	250
	Re-Grid 3038	30	50	82	210	359
	Re-Grid 3838	38	69	121	305	605
	Re-Grid 5050	50	142	289	732	1210
1200	MINI Re-Grid 3820	38	74	128	312	613
	MINI Re-Grid 3826	38	55	108	282	585
	MICRO Re-Grid 3013	30	56	89	220	370
	Re-Grid 3838	38	48	97	194	460
	Re-Grid 5050	50	95	195	460	860
	MINI Re-Grid 3820	38	49	102	200	496
	MINI Re-Grid 3826	38	38	81	180	450
1500	Re-Grid 5050	50	62	110	180	375

- \*L = clear span
- \*L/200 = 0.5% deflection (L = 1000mm then deflection = 5mm)
- \*L/100 = 1% deflection (L = 1000mm then deflection = 10mm)

British Standard BS5395 Part 3 states that the deflection should not exceed 10mm or L/200 of the span. Data is provided as a guide only as different resins and temperatures can produce variations of ±20%.



## Re-Deck

This covered grating system is a moulded one piece composite floor product that combines our Re-Plate with open mesh grating. The resulting product is even stronger than our standard open mesh grating. It provides the optimum solution for:

- (i) grating walkways where it is essential to prevent items falling through to lower levels,
- (ii) odour control and
- (iii) over ducts and trenches.



Type	Depth (mm)	Mesh Size Base (mm)	Top Plate Thickness (mm)	Standard Panel Size (mm)	Approx Weight (kg/m <sup>2</sup> )	Standard Surface	Standard Colours
Re-Deck 254	30	38 x 38	3	3660 x 1220	19	Grit	Light Grey, Charcoal
Re-Deck 384	42	38 x 38	3	3660 x 1220, 4038 x 1000	25	Grit	Light Grey, Charcoal
Re-Deck 504	55	50 x 50	3	3660 x 1220	27	Grit	Light Grey

Other colours and finishes are available upon request.

## Deflection Tables For Re-Deck

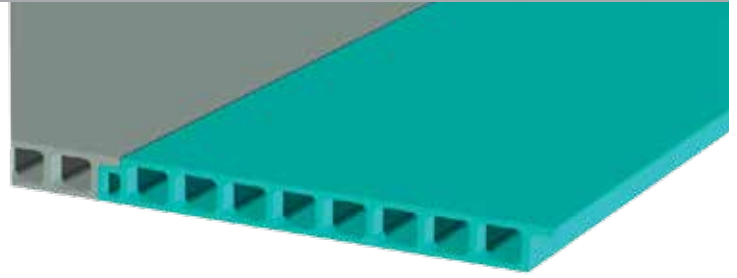
Clear Span (mm)	Type	Panel Depth (mm)	Recommended Maximum Loading			
			Firm Concentrated Line Load (kg/305 mm) *L/200	Standard Concentrated Line Load (kg/305 mm) *L/100	Firm Uniform Loading (kg/m <sup>2</sup> ) *L/200	Standard Uniform Loading (kg/m <sup>2</sup> ) *L/100
300	Re Deck 254	30	337	621	4634	9801
	Re Deck 384	42	877	1514	9801	19264
	Re Deck 504	55	1215	2135	19575	39069
500	Re Deck 254	30	189	283	1073	3253
	Re Deck 384	42	326	918	3064	6201
	Re Deck 504	55	519	1082	5385	11981
750	Re Deck 254	30	60	121	405	762
	Re Deck 384	42	158	342	1032	2099
	Re Deck 504	55	326	653	2095	4212
1000	Re Deck 254	30	31	60	162	337
	Re Deck 384	42	90	159	403	798
	Re Deck 504	55	191	390	988	1624
1200	Re Deck 384	42	64	130	261	621
	Re Deck 504	55	128	256	621	1156
1500	Re Deck 504	55	83	148	297	506

- \*L= clear span
- \*L/200 = 0.5% deflection  
(L=1000mm then deflection = 5mm)
- \*L/100 = 1% deflection  
(L= 1000mm then deflection = 10mm)

British Standard BS5395 Part 3 states that the deflection should not exceed 10mm or L/200 of the span. Data is provided as a guide only as different resins and temperatures can produce variations of ±20%.

## Vehicular Re-Deck

Our Vehicular Re-Deck trench cover has been designed for heavy vehicular applications and is specifically engineered to meet BS EN 124 classification. Its pultruded interlocking feature ensures that the heavy duty trench cover can be easily removed for maintenance access. The length of the Vehicular Re-Deck panel is determined by the width of the trench in order to facilitate a safe working load area. Our Vehicular Re-Deck trench cover is made to client specification, and is available in a range of bespoke colours and surface finishes, including an optional integrated safe working load stamp.



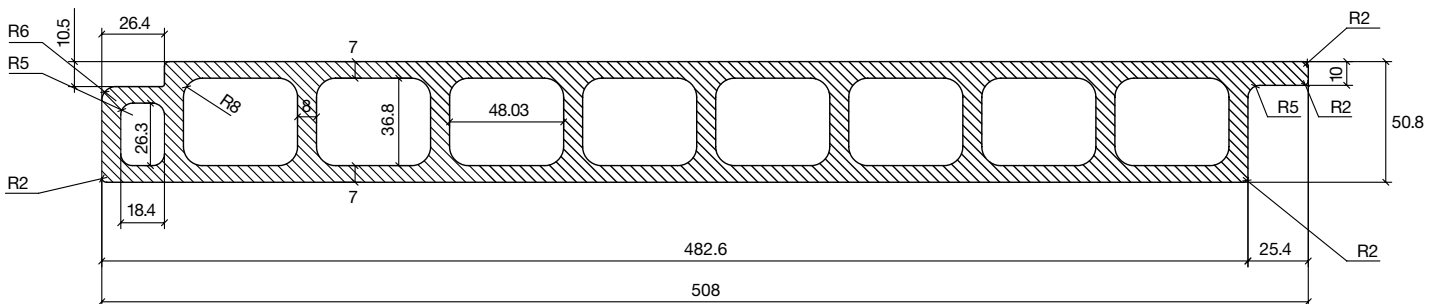
Type	Top Width (mm)	Overall Width (mm)	Depth (mm)	Weight (kg/m)	Standard Surface	Standard Colours
VH Re-Deck 50	482.6	508	50.8	19.7	Grit	Light Grey
VH Re-Deck 101	600	635	101.6	54.6	Grit	Light Grey

Length of panel is determined by span. Other colours and finishes are available upon request.

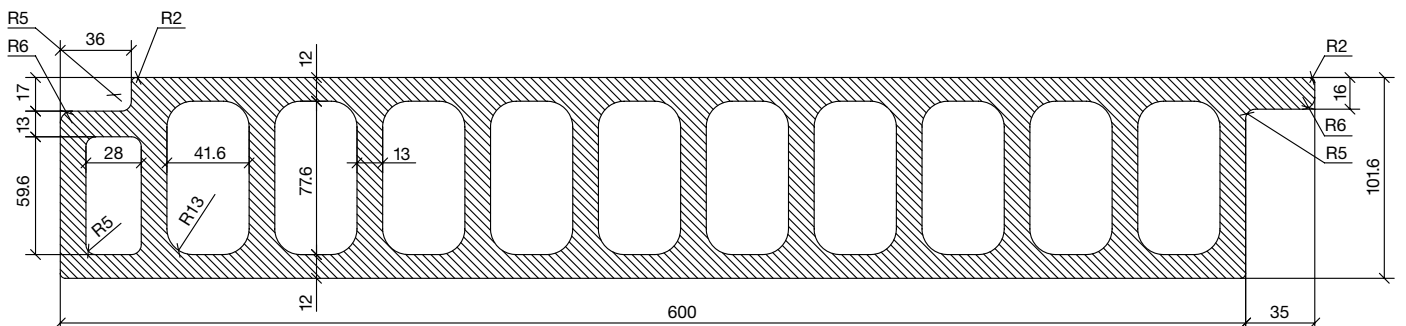
## Vehicular Re-Deck Load Capacities

Vehicular Re-Deck		Max Working Load (Point Load) @ 1% deflection				BS EN124 Classification Met			
		Span				Span			
Type	Panel Depth (mm)	600mm	1000mm	1200mm	1500mm	600mm	1000mm	1200mm	1500mm
VH Re-Deck 50	50.8	175KN	110KN	72KN	46KN	B	A	A	A
VH Re-Deck 101	101.6	675KN	420KN	350KN	272KN	D	D	C	C

### VH Re-Deck 50



### VH Re-Deck 101



# Additional Flooring Solutions

## Pultruded Grating

Where applications require grating over a wide span, using Relinea's pultruded grating can reduce the need for additional support sections. Manufactured using a high glass to laminate ratio, pultruded grating provides durability, exceptional uni-directional strength and stiffness.



## Re-Tread

These tough moulded stair treads are a step forward in efficient stair design. Available in the full range of grating depths and mesh sizes all come with a high visibility anti-slip nosing. We can also provide composite support angles for fixing to stringers.



## Accessories

### Fixings

We offer a wide range of stainless steel attachments, clips and fixings to fasten panels together and to support structures.



## High Load Capacity Grating

In general, Relinea's structural grating products are designed for pedestrian access. But in certain instances access may be required for forklift or light vehicle traffic. Relinea can offer a range of grating products to meet high load requirements. Please contact us with your requirements.



## Low Maintenance Composite Timber Decking

Made from reclaimed wood fibres and pure polymer resins, Relinea's composite decking is a revolutionary low maintenance, non slip alternative to timber decking. It will not rot, warp or splinter and will never need staining or sealing. With more colours and deck board options, Relinea offers you an industry leading garden decking solution.



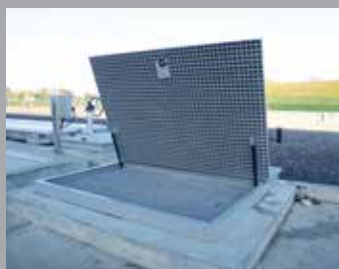
## Adjustable Grating Supports

Relinea supplies a range of adjustable pedestals that can provide elevation to flooring from 17mm to 850mm.



## Access Hatches

Relinea's access hatches are a lightweight, cost effective alternative to steel access covers. Our range of composite covers, used in conjunction with our grating range, provide safe, secure access to pumps and dry wells. All our access covers come with the option of spring assisted single person lift, integral safety grid and access ladders.



## Edging Ramp

Our grating edging ramp connects to any size of grating using standard fixing clips providing a safe, robust solution for accessing grating that is positioned at floor level.



## Seal Kits

To ensure maximum corrosion resistance, Relinea offers a resin sealing kit which is used to paint over site-cut ends.

# Anti-Slip



## Moving from A to B, In Safety

Imagine a work environment where the risk of slip or trips has been completely minimised. It's every Health & Safety manager's dream, and with help from our anti-slip products, it can become a reality.

### Relinea's range of anti-slip products:

- are cost effective and extremely durable
- provide a simple retro-fit solution to slippery surfaces
- offer an exceptional level of slip resistance and are available for heavy, medium and light usage
- are non-porous, resist dirt build-up, are easily cleaned and can withstand cleaning agents
- combine a high visibility nosing to ensure that your access ways meet current Disability Discrimination Act 2004 (DDA) legislation.

## Better Performing Solutions

Although standard sizes are available, we can manufacture our anti-slip products to your exact specifications in terms of colour, thickness, grit finish and fire/chemical resistance. The product range includes:

### Re-Grip ULTRA Plate

These solid, thick gritted plates can be retro-fitted onto robust structures such as concrete, chequer plate, steel mesh and timber.



### Re-Grip ULTRA Stair Tread Covers

These easy to install, cost effective covers provide a solid, non-slip surface which includes a high visibility nosing meeting DDA legislation.



### Re-Grip ULTRA Landing Covers

Combining the best of the Plate and Tread cover systems, these provide a complete one piece cover for landings.

### Re-Grip ULTRA Stair Nosings

These 4mm thick nosings have a chamfered back edge to eliminate a potential trip hazard and have been designed to comply with the DDA legislation.



### Re-Grip ULTRA Rung Covers

Ladder rungs can become slippery and pose a health and safety risk. When applied to each rung, these slip resistant covers greatly improve safety on ladders.



### Tactile Paving

Our tactile paving is designed to warn pedestrians with poor sight of changes in elevations. These are used at pedestrian crossings, railway platforms and incorporate blister or corduroy options.



### Encapsulated Plywood

Our GRP coated WBP plywood sheets are completely enclosed and come with a gritted top surface and edge. Up to 40% lighter than their solid GRP counterparts, they offer a low cost alternative to solid GRP panels.

### Glow In The Dark

Our anti-slip systems can be ordered with a special yellow photo-luminescent coating for the nosing area – ideal for use in dimly lit stairways.

# Structural Profiles and Platforms



## Building Strength

With structural profiles and platforms, it pays to think different. Relinea's pultruded structural profiles combine:

- ultra light weight with extreme strength
- corrosion resistance with stability and stiffness
- maintenance-free service with thermal/electric non-conductivity
- all delivered at a fraction of the cost of stainless steel and other expensive alloys.

## Building Blocks. Don't think conventional. Think composite.

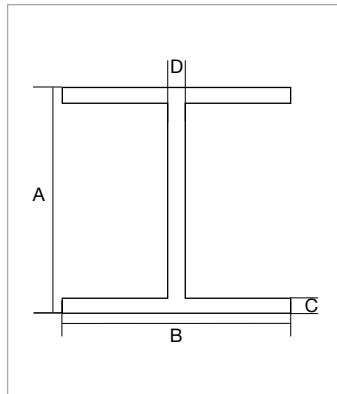
Relinea's composite profiles currently provide a high level of structural integrity in the following applications:

- Walkways & Bridges
- Tank & Bund access
- Ramps & Stairs
- Balcony Supports
- Roof & Plant access
- Mezzanines
- Pipe & Equipment racks.

## Profile Type: I-Beams / Wide Flange Beams



Section

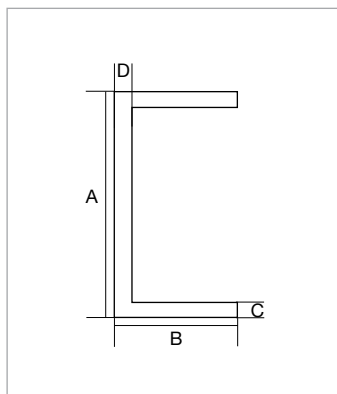


A (mm)	B (mm)	C (mm)	D (mm)	Weight (kg/m)	Length (mm)
203	102	9.5	9.5	7.2	6200
152	76	9.5	9.5	5.32	6000
152	76	6.4	6.4	3.59	6000

## Profile Type: Channel

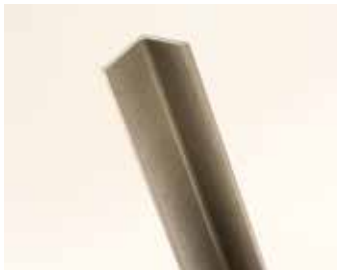


Section

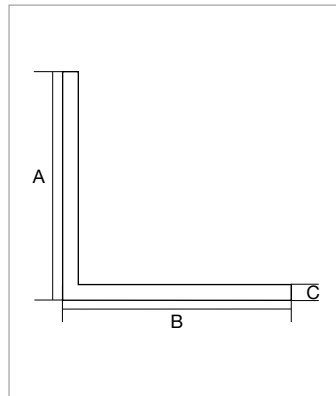


A (mm)	B (mm)	C (mm)	D (mm)	Weight (kg/m)	Length (mm)
102	44	6.4	6	2.1	6000
152	42	6.4	6.4	2.72	6000
203	56	9.5	9.5	5.34	6000

## Profile Type: Angle



Section

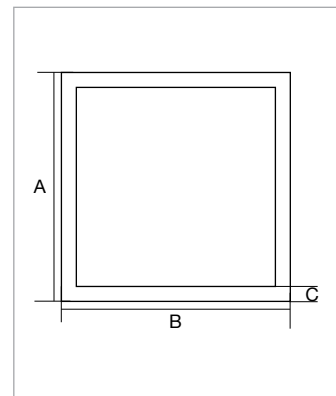


A (mm)	B (mm)	C (mm)	Weight (kg/m)	Length (mm)
50	50	6.4	1.14	6000
60	60	9	1.95	6000
76	76	9.5	2.57	6000
102	102	9.5	3.48	6000

## Profile Type: Square Box



Section

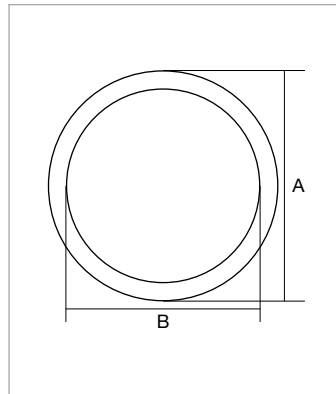


A (mm)	B (mm)	C (mm)	Weight (kg/m)	Length (mm)
38	38	5	1.24	6000
44	44	6	1.70	6000
51	51	3.2	1.13	6000
51	51	6.35	2.17	6000
60	60	4.5	1.85	6000
76	76	6.35	3.56	6000

## Profile Type: Circular Tube

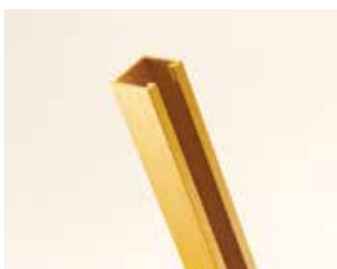


Section

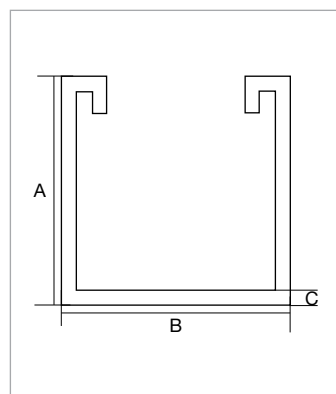


A (mm)	B (mm)	Weight kg/m	Length (mm)
25	20	0.33	6000
31	25	0.49	6000
38	32	0.62	6000
51.6	46.5	0.72	6000

## Profile Type: Uni-Strut



Section



A (mm)	B (mm)	C (mm)	Weight (kg/m)	Length (mm)
41	41	4	0.82	6000

# Handrails and Ladders

## The difference is in the touch

There is one area where the enhanced performance of Re-Grab Handrail and Ladder Systems can be measured quickly, easily and immediately... by simple touch. Re-Grab is warm to touch, an important factor to consider for handrails and ladders that are being used in outdoor contexts.

In addition our Re-Grab Systems outperform their conventional steel, aluminium and wooden counterparts across all key criteria:

- Strength to weight ratio
- Maintenance costs
- Low installation costs
- Corrosion resistance







**Better Performing Solutions**

**Re-Grab Handrail**

Extensive development and a wide range of accessories ensure that our modular handrail systems can be installed quickly and easily in a wide variety of settings. Our range extends from full fabricated systems to budget solutions with top or side fix stanchions.



**Re-Grab Ladders**

These fully fabricated, pultruded units are made to customer requirements and come with all necessary components, including a walkthrough and safety cage.

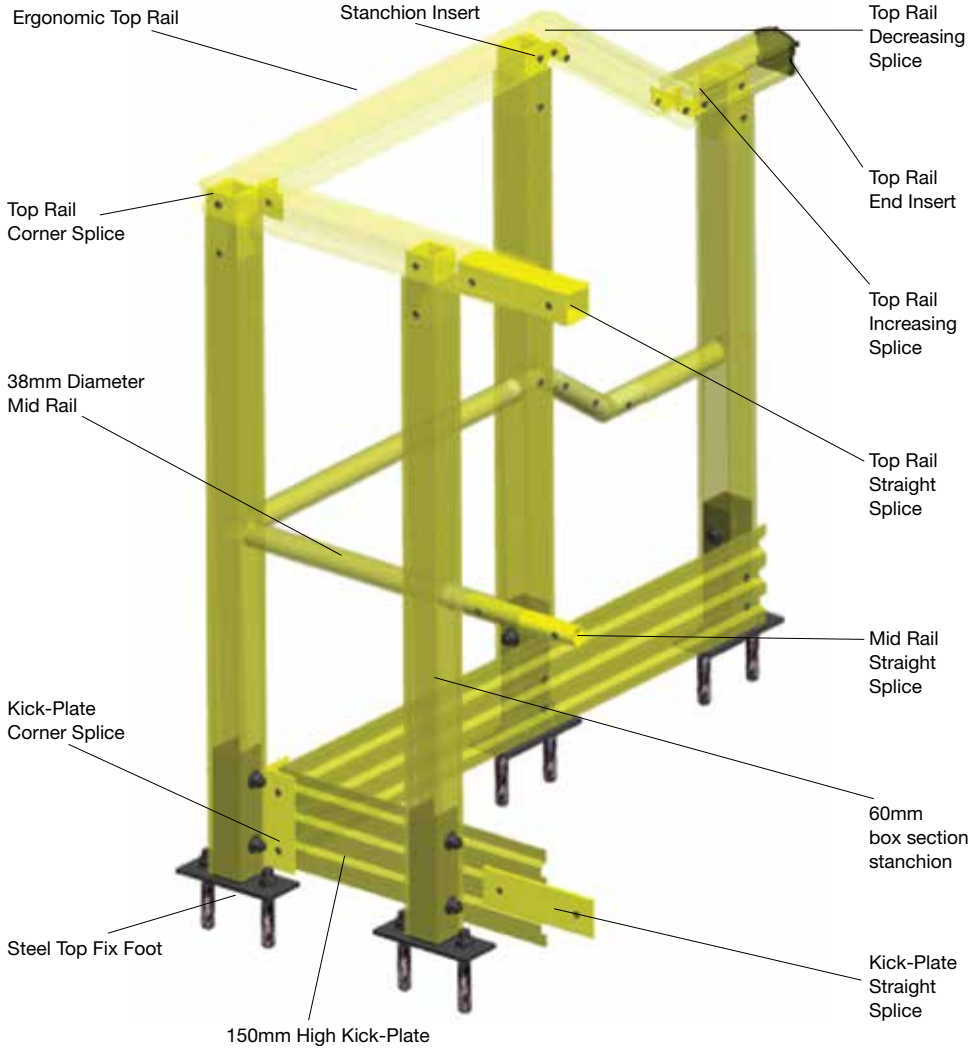


**Re-Grab Safety Gates**

These high quality polyurethane gates are easily installed and will not corrode or degrade, even in aggressive environments. With no springs, cams or bearings, there is nothing to wear out, replace, lubricate or paint.



**Re-Grab Handrail**



# More Relinea Systems and Services

## Bespoke Mouldings

We specialise in the design and manufacture of quality Glass Reinforced Polymer (GRP) mouldings for small and large volume applications. GRP is one of the most versatile construction materials available and we can offer a high degree in complexity to shapes whilst utilising lightweight but high strength properties with dimensional stability and a wide range of finishes.



## Water Treatment Products

Combining our expertise in specialist mouldings and structural products we can offer a vast range of GRP products for the Water and Sewage Treatment Industry that outperform traditional products and deliver solutions at a lower cost. We specialise in a wide range of products including; Baffle and Weir Plates, Diffusion Drums, Launders, Scum Boards and Pump Covers.



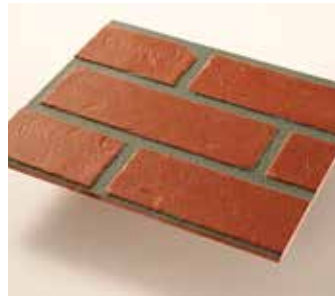
## Odour Control Tank Covers

Relinea's structurally robust and lightweight GRP Odour Control Tank Covers are designed to eliminate odour for various applications within wastewater treatment plants. Relinea's Tank Covers can span from 1m-20m, and are manufactured to client specification using a high chemical resistant resin system.



## Composite Cladding

Relinea manufacture and supply a range of high performance, high quality exterior cladding, decorative facades and interior surfaces that outperform traditional materials. We provide architects, designers, installers and users with innovative, aesthetically pleasing and high performance solutions to meet virtually any specification for almost any application.



## Composite Sandwich Panels

In addition to our composite cladding range we can manufacture a range of composite sandwich panels which combine our plate products that offer a variety of textured finishes with a wide range of core materials that can dictate a number of variables such as the U value or the electromagnetic resistance of the panel. Our panels are used in Modular Buildings, Telecom Installations, Curtain Walling and Blast Panels.



## Cable Management

Relinea offer a complete industrial cable management system specifically designed for harsh and corrosive environments. Combining high quality raw materials with innovative design, our range extends to easily installed cable trays, ladders and support systems that offer a high degree of electrical and thermal insulation.



## Additional Services

Relinea's Services Team work with our customers from initial concept to final installation to provide a snag free package which offers the end user years of maintenance free life.

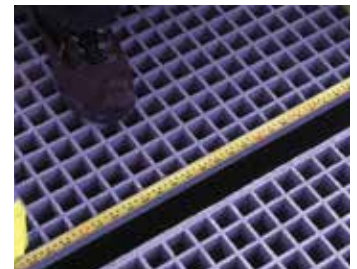
### Design Services

Our Design Team offer a practical solution to problems and by using the latest CAD technology and finite analysis we proactively design systems that can be easily installed and maintained.

## Manufacturing and Fabrication

### Services

Using the latest manufacturing equipment and working to ISO 9001:2008 standards our highly skilled workforce ensures that we supply you with the best solution to meet your needs.



## Installation Services

### Simplicity Personified

A key benefit of our composite products is their ease of installation, light weight and easily fabricated components which ensure our products are installed in fewer man-hours, without the need for heavy lifting gear.

Combining this with our highly trained installation teams who have experience working in extremely aggressive environments and under some of the most rigorous Health and Safety demands in the construction industry, the result is innovative access solutions that meet your company's needs and exceed your expectations.



## True Grit

Designed with rigorous attention to detail. Manufactured to thoroughly demanding standards. Installed with scrupulous care and precision. That's how we make our composite products. That's why you'll find them operating in some of the most demanding environments throughout the world.



### Rail

- Driver walkways
- Signal platforms
- Anti-slip steps for footbridges
- Refuelling facilities
- Dagger boards
- Platform edge protection



### Electricity

- Trench covers
- Substation room flooring
- Ladders and platforms
- Up and over arrangements



### Water and Wastewater

- Walkways for inlet works
- Pump sump covers
- Tank covers
- Baffles and weirs
- Jetties and piers



### Chemical Processing

- Platforms and mezzanines
- Process storage areas
- Air scrubber internals
- Cable trays



### Commercial

- Balcony supports
- Cladding
- Roof and plant room access
- Assembly lines
- Anti-slip flooring

# Relinea<sup>®</sup>

Think Different. Think Composites.

---

Relinea

---

14 Crosshill Rd

---

Crumlin

---

Northern Ireland

---

BT29 4BQ

---

T +44 (0) 28 9447 0010

---

F +44 (0) 28 9447 0020

---

E [info@relinea.com](mailto:info@relinea.com)

---

[www.relinea.com](http://www.relinea.com)

---



FM 592542

